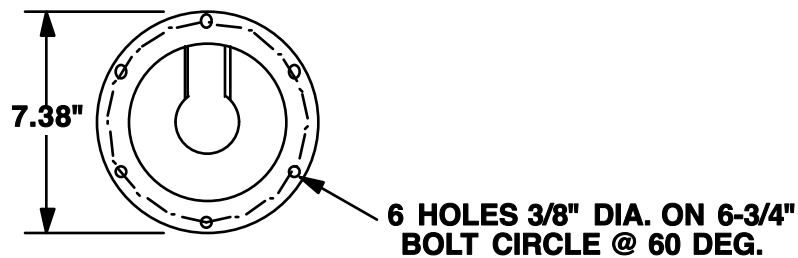

OBO OVERHEAD BOOM

INSTALLATION

The overhead boom must be fastened to a secure mounting surface that can support the boom securely and withstand the downward force that can be applied to the end of the boom. Should there be any questions or concerns as to the structural capability of the mounting surface or the fastening method used, an appropriate engineer must be consulted.

The following diagram shows the mounting pattern used for the overhead boom.



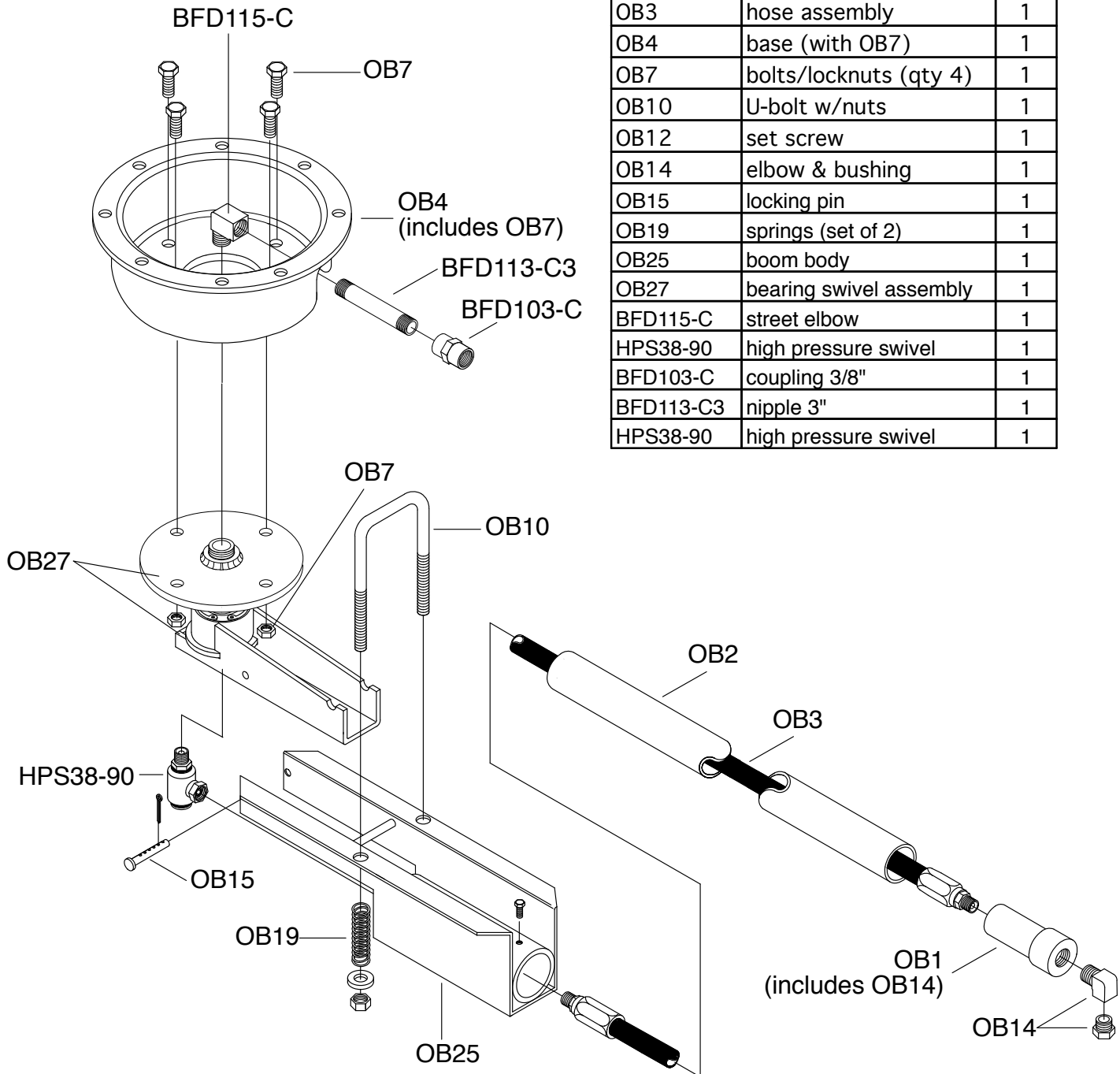
MAINTENANCE

Regular inspections of the overhead booms are required in order to ensure correct and safe operation.

Check all fasteners to ensure that they are secure. This includes the method used to fasten the overhead boom to the ceiling. Check also for corrosion that may compromise the operation of the overhead boom. Check for any movement between components that suggests wear. Check for movement and wear when pulling up and releasing the end of the boom arm. Check that the boom spins freely. Any components that display wear must be replaced.

MAGIKIST

OVERHEAD 360° SWIVEL BOOM MODEL OBO



Part#	DESCRIPTION	QTY
OB1	boom end (with OB14)	1
OB2	boom arm	1
OB3	hose assembly	1
OB4	base (with OB7)	1
OB7	bolts/locknuts (qty 4)	1
OB10	U-bolt w/nuts	1
OB12	set screw	1
OB14	elbow & bushing	1
OB15	locking pin	1
OB19	springs (set of 2)	1
OB25	boom body	1
OB27	bearing swivel assembly	1
BFD115-C	street elbow	1
HPS38-90	high pressure swivel	1
BFD103-C	coupling 3/8"	1
BFD113-C3	nipple 3"	1
HPS38-90	high pressure swivel	1