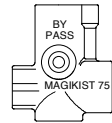


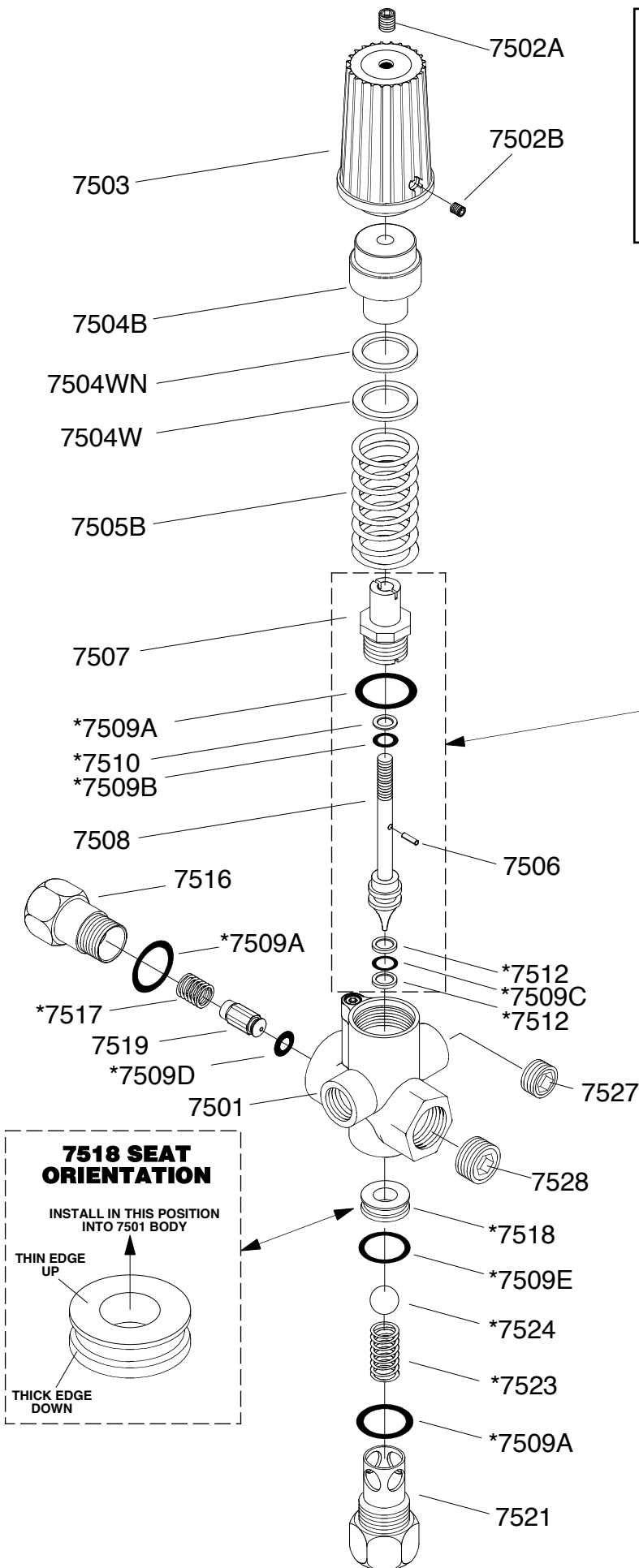
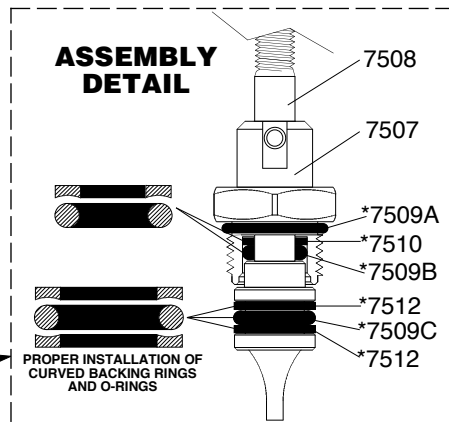
# MAGIKIST

## 7500B PRESSURE REGULATING UNLOADER - PARTS VIEW & LIST -



### MODEL IDENTIFICATION

7500B unloader valves can be distinguished from the older 7100B unloader valve by examining the markings on the 7501 body. The 7500B unloader has the marking MAGIKIST 75. The 7100B unloader has the marking MAGIKIST only.



PART NUMBER	DESCRIPTION	QTY
7501	unloader body	1
7502A	socket set screw (adjustment stop)	1
7502B	socket set screw (knob holder)	1
7503	adjustment knob or cap	1
7504B	cap guide	1
7504W	brass washer	1
7504WN	nylon washer	1
7505B	spring	1
7506	roll pin	1
7507	actuator fitting	1
7508	actuator rod	1
*7509A	O-ring	3
*7509B	O-ring	1
*7509C	O-ring	1
*7509D	O-ring	1
*7509E	O-ring	1
*7510	backing ring	1
*7512	backing ring	2
7516	discharge fitting	1
*7517	plunger spring	1
*7518	ss seat	1
7519	check plunger	1
7521	inlet fitting	1
*7523	spring	1
*7524	ball	1
7527	1/4" plug	1
7528	3/4" plug	1
7530	repair kit (contains all * items)	1